



HILFE

MEDICAL FURNITURE AND EQUIPMENT

HILFE

MEDICAL FURNITURE AND EQUIPMENT for:

- SPECIALIST and DOCTORS' OFFICES,
- TREATMENT and EXAMINATION ROOMS,
- HALLS and CORRIDORS

TABLE OF CONTENTS

ABOUT PROMET	2-3
SINGLE-DOOR CABINETS MD 1 series	6
SINGLE-DOOR CABINETS MD 1 series with frames	7
SWING-DOOR CABINETS MD 2 series	8
SWING-DOOR CABINETS MD 2 series with frames	9
Single door Cupboards with chipboard MD 1 SHM / MD 2 SHM series	11
UTILITY CABINETS (LOCKERS) MD 1 series	12
WARDROBES MD 2 Series	13
PATIENT TRANSPORTATION CARTS MD TBN / TBL series	14-15
MEDICAL COUCHES MD KS series	16
MEDICAL BANQUETTES MD B / MD BS series	17
MEDICAL MANIPULATION TABLES MD SM / MD SP N series	18-19
MEDICAL TREATMENT TABLES MD SP / MD SM N series	20-21
MEDICAL PEDESTALS MD TP Series	22-23
MEDICAL PEDESTALS MD TPL Series with chipboard	24
MEDICAL TRIPODS AND FIRST AID KITS	25
SAFES-THERMOSTATS semiconductor type TS series	26-27
MEDICAL SHELVING CTM MS Series	28
USEFULL INFORMATION	29

ABOUT PROMET

The Promet Group of companies includes four plants located in Moscow, the Tula region of the Russian Federation and the Republic of Bulgaria.

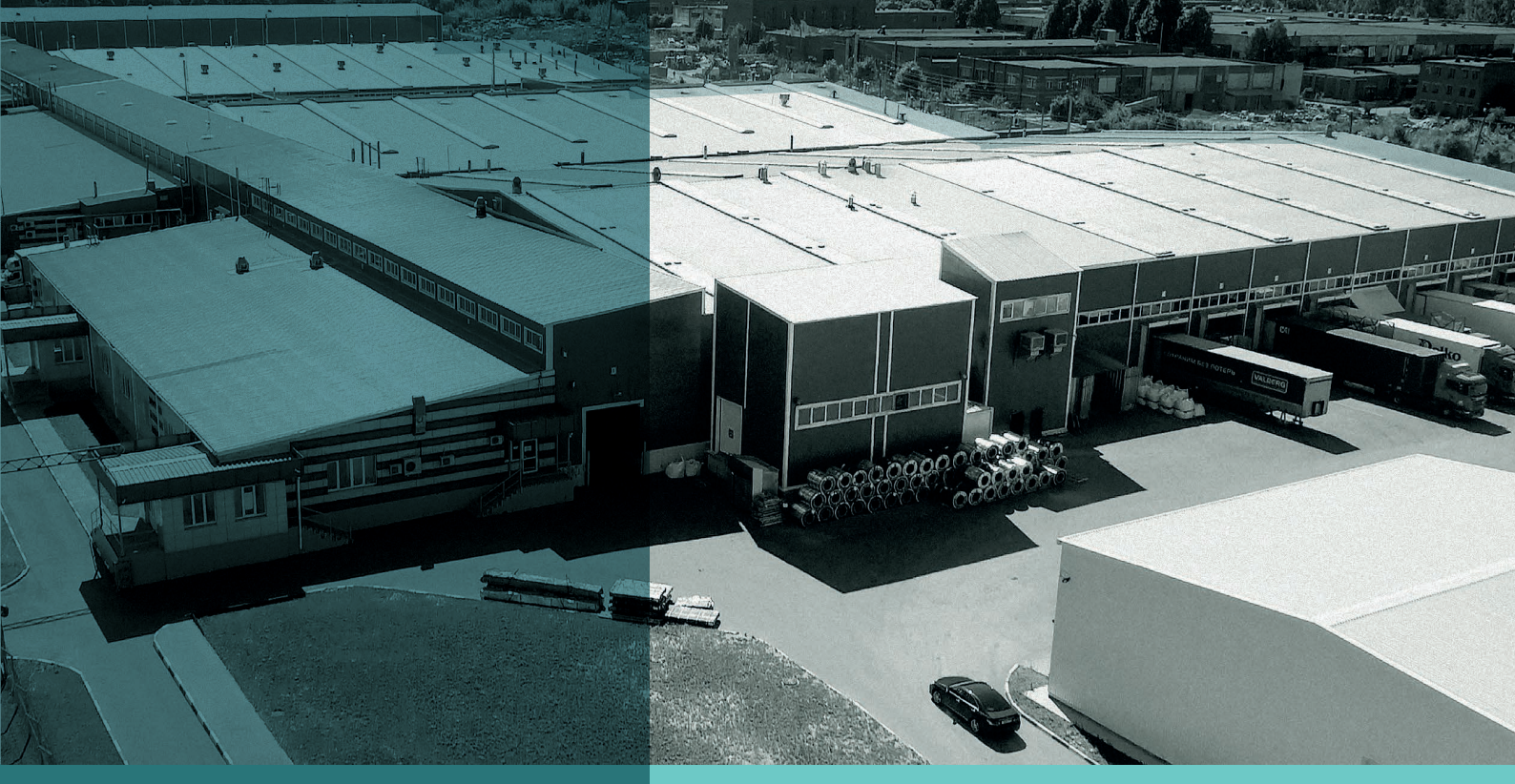
The company is constantly improving and introducing advanced technologies and equipment: reconstructions of production areas are being carried out, new production lines are being launched.

The manufacturing philosophy is based on the principles of continuous improvement.

The quality management system has been certified in accordance with the ISO 9001 international standard since September 2001 by the DNV GL Certification Company—one of the largest and most authoritative international certification organizations.

The Hilfe medical furniture brand was founded in 2013. The entire range of Hilfe brand products meets the requirements of the Ministry of Health.





**COMPANY
FOUNDED
IN 1991**

30
Years

The thirty-year history of Promet company - is bright victories, hard work, overcoming crises and difficulties that have only made us stronger. We have achieved a lot - this is not only the recognition of the company in the market, but also the success of our partners. Now Promet is an extensive dealer network, the best professionals, modern equipment and well-established processes.



38 BRANCHES



**9 FOREIGN
BRANCHES**



4 FACTORIES



**EXPORT TO 76
COUNTRIES**



**MORE THAN
3000 JOBS**

OUR PRODUCTS AND SERVICE

HILFE

The word Hilfe means «help» in German, so we develop and manufacture medical furniture that helps doctors and medical staff in organizing treatment and patient care. Patients feel comfortable and safe while waiting for an appointment, during examination and during medical procedures.

We use modern materials and technologies in steel treatment, plastic and chipboard, which allow us to achieve the strength characteristics and functionality of our products. Behind the visual lightness of the structures lies reliability and balance. The covering and upholstery of our medical furniture meet the requirements of durability, ease of care and hygiene. Medical furniture of the Hilfe trademark meets all the requirements of state certification.



We provide warranty and post-warranty service and repair of our products.



We can deliver and install your new furniture anywhere in the country or the world using our own vehicles and trained installers.

MEDICAL CUPBOARDS

Series MD 1/ MD 2

The Cupboards are designed for storing medicines, instruments, hospital documents, patient cards in medical centers and hospitals



SINGLE-DOOR CUPBOARDS

- Rigid, reliable construction of cabinets made of high-quality steel with metal and glass doors 4 mm thick
- Metall doors are equipped with key lock HILFE (2000 combinations)
- Glass doors are equipped with magnetic latches fixing the door in the closed state
- Cabinets are equipped with four metal shelves in cabinets with glass (SG) – two metal, two glass shelves, glass shelf thickness of 5 mm
- Max load per metall shelf – 30 Kg, per glass shelf – 10 Kg
- Height-adjustable supports (the minimum height of the supports is 100 mm, maximum height -130 mm)
- Standard color: wight (RAL 9016)
- Coating type: powder paint (non-toxic, fireproof, resistant to impacts chips and the effects of chlorine-containing drugs)
- Delivered disassembled.



OPTION:
Doors or body color from the manufacturer's palette

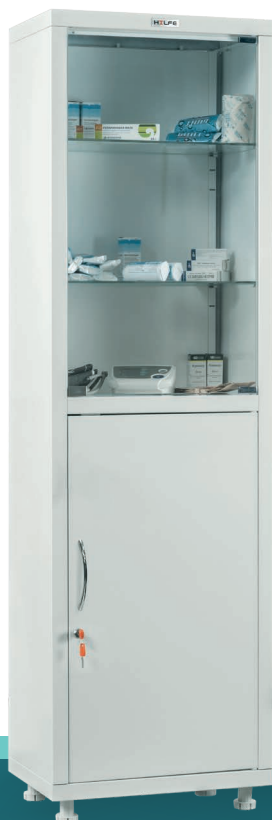


	MD 1 1650 (SS/SG)*	MD 1 1657 (SS/SG)*	MD 1 1760 (SS/SG)*
Height, mm	1655/1755**	1655/1755**	1750/1850**
Width, mm	500	570	600
Depth, mm	320	320	400
Weight, kg	25/27	27/29	32/35

* Modification: SS - upper door - metal, SG - upper door - glass

** Hight with adjustable supports

MD 1 1650 SG



MD 1 1657 SG



MD 1 1750 SS



***OPTION:**
TRAISSER



MD 1 1650

SINGLE-DOOR CUPBOARDS WITH FRAMES

HILFE

- Rigid, reliable construction of cabinets made of high-quality steel with metal and glass doors 4 mm thick
- Metall doors are equipped with key lock HILFE (2000 combinations)
- Glass doors are equipped with magnetic latches fixing the door in the closed state
- Cabinets are equipped with four metal shelves in cabinets with glass (SG) – two metal, two glass shelves, glass shelf thickness of 5 mm
- Max load per metall shelf – 30 Kg, per glass shelf – 10 Kg
- Height-adjustable supports (the minimum height of the supports is 100 mm, maximum height - 130 mm)
- Standard color: wight (RAL 9016)
- Coating type: powder paint (non-toxic, fireproof, resistant to impacts chips and the effects of chlorine-containing drugs)
- Delivered disassembled.



CERTIFIED

MD 1 1760 R / MD 1 1760 R-1

Height, mm	1750/1850*
Width, mm	600
Depth, mm	400
Weight, kg	35/41

* Hight with supports

OPTION:

Doors or body color from the manufacturer's palette



MD 1 1760 R

Two metall shelves in lower compartment



MD 1 1760 R-1

In the lower compartment there is one metal shelf and a drawer with ball-bearing slides



***OPTION:**
TRAISSER



MD 1 1650

Traiser is made of steel. The MD 1 1650 traiser model can be installed in any single-door cabinet with a MD frame

SWING-DOOR CUPBOARDS

- Rigid, reliable construction of cabinets made of high-quality steel with metal and glass doors 4 mm thick
- Metall doors are equipped with key lock HILFE (2000 combinations)
- Glass doors are equipped with magnetic latches fixing the door in the closed state
- Cabinets are equipped with four metal shelves in cabinets with glass (SG) – two metal, two glass shelves, glass shelf thickness of 5 mm
- Max load per metall shelf – 30 Kg, per glass shelf – 10 Kg
- Height-adjustable supports (the minimum height of the supports is 100 mm, maximum height – 130 mm)
- Standard color: wight (RAL 9016)
- Coating type: powder paint (non-toxic, fireproof, resistant to impacts chips and the effects of chlorine-containing drugs)
- Delivered disassembled



CERTIFIED

OPTION:

Doors or body color from the manufacturer's palette



RAL 610-1



RAL 710-1

MD 2 1670 (SS/SG)*

MD 2 1780 (SS/SG)*

	MD 2 1670 (SS/SG)**	MD 2 1780 (SS/SG)**
Height, mm	1655/1755**	1750/1850**
Width, mm	700	800
Depth, mm	320	400
Weight, kg	33/36	42/45

* Modification: SS - upper door - metal, SG - upper door - glass

** Hight with adjustable supprot



***OPTION:**

TRAISSER



MD 1 1650

The traisser is made of steel. The model 11650 trailer can be installed in any cabinet of the MD line (on a metal shelf)

MD 2 1670 SS



MD 2 1780 SG



MD 2 1670

Taisser is made of steel. The MD 2 1670 traisser model can only be installed in swing-door cabinets (on a metal shelf)

SWING-DOOR CUPBOARDS WITH FRAMES

HILFE

- Rigid, reliable construction of cabinets made of high-quality steel with metal and glass doors 4 mm thick
- Metall doors are equipped with key lock HILFE (2000 combinations)
- Glass doors are equipped with magnetic latches fixing the door in the closed state
- Cabinets are equipped with four metal shelves in cabinets with glass (SG) – two metal, two glass shelves, glass shelf thickness of 5 mm
- Max load per metall shelf – 30 Kg, per glass shelf – 10 Kg
- Height-adjustable supports (the minimum height of the supports is 100 mm, maximum height – 130 mm)
- Standard color: wight (RAL 9016)
- Coating type: powder paint (non-toxic, fireproof, resistant to impacts chips and the effects of chlorine-containing drugs)
- Delivered disassembled



CERTIFIED

OPTION:

Doors or body color from the manufacturer's palette



RAL 610-1



RAL 710-1



***OPTION:**
TRAISSER



MD2 1780 R / MD2 1780 R-1 / MD2 1780 R-5

Height, mm	1750/1850*
Width, mm	800
Depth, mm	400
Weight, kg	45/49/53



MD 1 1650



MD 2 1670

* Height with legs

MD2 1780 R

In lower compartment there are two metal shelves. The doors have a key lock

MD2 1780 R-1

In lower compartment there are one metall shelf and two drawers. The doors are equipped with a key lock

MD2 1780 R-5

In lower compartment there are 5 drawers and a door compartment with two shelves. The door is equipped with a key lock





SINGLE DOOR CUPBOARDS WITH CHIPBOARD

HILFE

- Rigid, reliable structure. the body is made of 0.8mm thick steel.
- Facades are made of chipboard with a thickness of 16 mm, laser edge 2 mm thick with a polymer functional layer, provides a zero seam effect and improves the moisture resistance and heat resistance of facade elements
- Upper compartment of cabinets – glass in an aluminum frame and two glass shelves
- Equipped with Hilfe key locks (2000 combinations)
- Supports with height adjustment, H 100 mm, diameter 50 mm
- options: installing the traizer. (see page 8)



CERTIFIED

	MD 1 SHM-SSD	MD 2 SHM-SSK	MD 2 SHM-SSR
Height, mm	1850*	1850*	1850*
Width, mm	600	800	800
Depth, mm	400	400	400
Load per shelf, kg	glass: 10 / steel: 30	glass: 10 / steel: 30	glass: 10 / steel: 30
Weight, kg	50	70	58

* Height with supports

FACADES AND TOP COLOR:



White Oak
(base)



Orange



Ocean

BODY COLOR:



RAL 9016 white hygienically safe,
corrosion-resistant powder coating



Drawer with ball-bearing slides and stopper

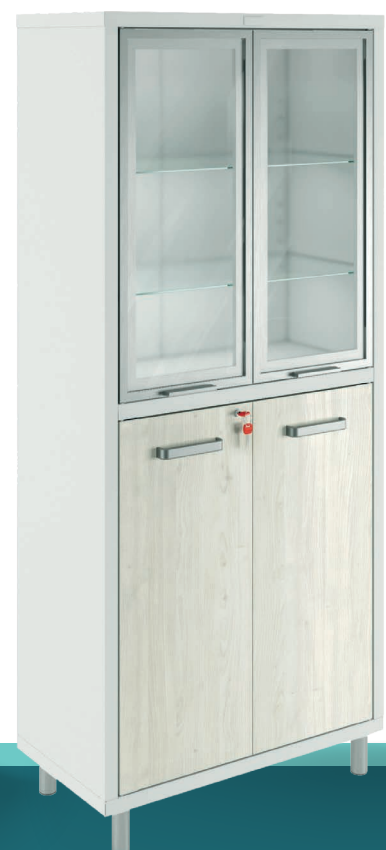
MD 1 SHM-SSD



MD 2 SHM-SSK



MD 2 SHM-SSR



UTILITY CUPBOARDS (LOCKERS)

- Reinforced rigid structure made of high quality steel with metal doors and ventilation holes
- Key lock HILFE (2000 combinations)
- Door opening side change
- Height-adjustable supports (the minimum height of the supports is 100 mm, maximum height - 130 mm)
- Standard color: wight (RAL 9016)
- Coating type: powder paint (non-toxic, fireproof, resistant to impacts chips and the effects of chlorine-containing drugs. Vertical partition, three shelves for household equipment, a mop holder, hooks for rags, a crossbar for hangers
- Delivered disassembled



CERTIFIED

OPTION:

Doors or body color from the manufacturer's palette



RAL 610-1



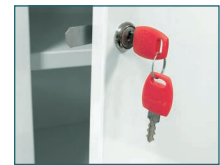
RAL 710-1

MD 1 SHM-SS	
Height, mm	1830/1900*
Width, mm	500
Depth, mm	500
Weight, kg	26

* Height with adjustable legs



Crossbar, hooks



Key lock "HILFE"



Adjustable legs



2 door hooks



Mop holder



Ventilation holes

MD 1 SHM-SS



CLOTH CUPBOARDS (WORDROBES)

HILFE

- Reinforced rigid cabinet structure made of high-quality steel with metal doors. The MD SHM SS model has ventilation holes
- HILFE key lock (2000 combinations)
- Possibility to change the door opening side(model MD SHM SS)
- Height-adjustable supports (minimum height of supports - 100 mm, maximum height - 130 mm)
- Standard color: white (RAL 9016)
- Type of coating: powder paint (non-toxic, fireproof, resistant to impact chips and exposure to chlorine-containing preparations)
- Delivered disassembled



CERTIFIED

OPTION:

Doors or body color from the manufacturer's palette



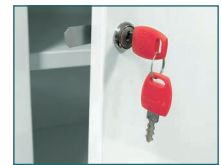
RAL 610-1



RAL 710-1

	MD 2 SHM-SS	MD 2 SHM
Height, mm	1830/1900*	1830
Width, mm	575	915
Depth, mm	500	458
Weight, kg	28	47

* Hight with supports



Key Lock "HILFE"



Adjustable supports



Crossbar



Door hooks



Ventilation holes

MD 2 SHM SS

Possibility to change the door opening side. Ventilation holes, shelf, crossbar, hooks.

MD 2 SHM

Bolt locking system. 6 shelves, crossbar.



Lock with bolts

PATIENT TRANSPORTATION CART

- Designed to move patients inside hospital facilities to operating rooms, X-ray and treatment rooms, as well as deliver them to medical vehicles.
- Frame: square-section steel pipes, reinforced with diagonal struts
- Bumpers are installed on the sides of the trolley frame
- Frame color: light gray (RAL 7038)
- Coating type: powder paint (non-toxic, fireproof, resistant to shocks, chips and use chlorine-containing reagents during daily maintenance and cleaning)
- Swivel wheels, self-orienting, 200 mm, made of non-marking grey rubber, two wheels with individual brakes
- Delivered disassembled



CERTIFIED



**CART
MD TBN**



***OPTION:**

mattress NPV 2513 with a removable vinyl-leather cover

MD TBN

Dimensions (HxWxD, mm)	820*x700x2160
Min. doorway to use the cart, mm	710
Bed size, mm	1800x660
Headrest angle, degree	0-45°
Max load, kg	170
Weight, kg	41

* Hight from the floor to the bed

CART MD TBN

- Removable stretchers made of steel profile are equipped with rubber handles and legs with plastic tips.
- The trolley bed is double-section made of steel, consists of a bed and a headrest.
- Headrest is adjustable by angle with the use of «Rastomat» from 0° up to 45°
- Trolley bed color: Blue (RAL 5015).

MATRESS NPV 2513



MATRESS NPV 2513

- Double section mattress with filler and removable vinyl-leather cover
- Filler - polyurethane foam elastic with a density of 20 kg/m³
- Securely fixed with Velcro
- The cover is 100% waterproof, resistant to hydrolysis, blood, tear and friction.
- Can be treated with any disinfectants, including chlorine-containing (by irrigation and wiping the outside of the cover)

PATIENT TRANSPORTATION CART

	MD TBL	MD TBL-01
Dimensions (HxWxD, mm)	850(1130*)x745x2140	520(720*) / 840(1040*)x750 / 820***x2150
Min. doorway to use the cart, mm	750	825
Bed size, mm	1800x660	1983x660
Headrest adjustment angle	0-45°	0-45°
Load, kg	170	170
Weight, kg	45	80

- * Hight with lifted side rails
- ** The minimal and maximal hight
- *** Width including pedals



CART MD TBL

- Headrest is adjustable by comb mechanism
- Two liftable side rails
- Soft double-section bed, consists of bed and headrest, made of 16mm chipboard and 20 mm foam.
- Cover: artificial leather, semi-soft, blue color, resistant to abrasion and the effects of disinfectants
- Bumpers installed



CART MD TBL-01

- Head-rest is adjustable using "rastomat" mechanism. Adjustable from 0° upto 45°
- Height adjustment is carried out with the help of a hydraulic drive. Adjustment range from 520 to 840mm
- Two side folding fences
- The soft lounger of the trolley is two-piece, consists of a bed and a headrest. Made of 16 mm thick chipboard and 40 mm thick foam rubber
- Cover: artificial leather, semi-soft, blue color, resistant to abrasion and the effects of disinfectants
- Bumpers installed



MEDICAL COUCHES

	MD KC	MD KC-01
Length, mm	1930	1960
Width, mm	670	730
Hight, mm	560	560
Headrest adjustment angle	0-45°	0-40°
Load, Kg	180	200
Weight, Kg	30	40



CERTIFIED



OBSERVATION COUCH MD KC

- Frame is made of square-section steel pipes
- Color: white (RAL 9016)
- Type of coating: powder paint (non-toxic, fireproof, resistant to shocks, chips and the effects of chlorine-containing drugs during daily maintenance and cleaning)
- Double-Section couch, consists of a bed and a headrest, made of chipboard 16 mm and foam 20 mm,
- The head section is adjustable using «Rastomat» mechanism; angle of inclination from 0° to 45°
- Cover: artificial leather semi-soft, resistant to abrasion and exposure to disinfectants
- Base color of cover: Ivory



OBSERVATION COUCH MD KC-01

- Frame is made of square-section steel pipes
- Legs made of round steel pipes with a diameter of 57 mm
- Color: Grey (RAL 9007)
- Type of coating: powder paint (non-toxic, fireproof, resistant to shocks, chips and the effects of chlorine-containing preparations during daily maintenance and cleaning)
- Double-Section couch, consists of a bed and a headrest, made of chipboard 16 mm and foam 40 mm,
- The head section is adjustable using «Rastomat» (2pcs) mechanism; angle of inclination from 0° to 40°
- Cover: artificial leather semi-soft, resistant to abrasion and exposure to disinfectants
- Base color of cover: Ivory



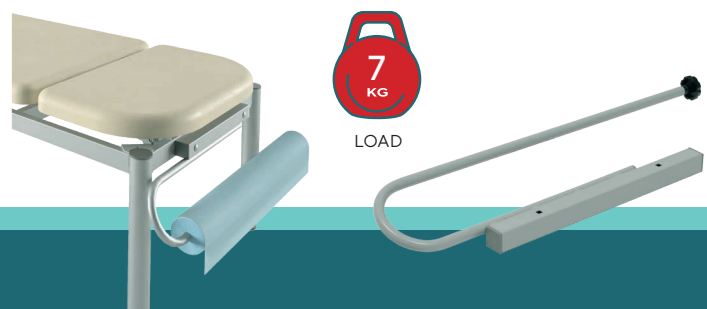
Disposable rolled sheets and towels Holder KMM

Color options of cover:



* by request

- The holder is made of a square-section profile pipe, a round pipe with a diameter of 20 mm
- Possibility of fastening from two end sides of the MD KS-01 couch (at the same time, disposable rolled sheets and towels can be put on the holder only on the right side)
- A roll of no more than 700 mm is fixed on the product using a screw
- Color: grey (RAL 9007)
- Coating type: powder paint



MEDICAL BANQUETTES

MEDICAL BANQUETTES MD B AND MD BC

- Frame: square-section steel pipes
- Seat is made of chipboard with a thickness of 16 mm with a foam flooring with a thickness of 20 mm. The corners of the seat and back are rounded
- Cover: artificial leather, semi-soft, light shade, resistant to abrasion and the effects of disinfectants
- Base color of cover - Ivory



CERTIFIED

	MD B	MD BC (WITH BACKREST)
Length, mm	1500	1500
Width, mm	450	500
Hight, mm	450	840
Load, kg	180	180
Weight, kg	15	22

Color options of cover:

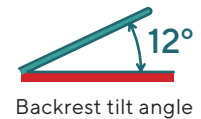


* by request

MD B



MD BC



Backrest tilt angle



Ivory (base color)



Orange



Light green



Turquoise



White



Grey



Dark grey



Blue



Light blue

MEDICAL TABLES

Manipulation tables are used in laboratories, dressing rooms, diagnostic and treatment rooms. They are convenient for working with sterile products, drugs, solutions in ampoules, vials. Bandages, vaccinations, sampling of tests and so on in a hospital are carried out on a manipulation table.

- Frame is made of a square-section profile pipe
- Frame color: white (RAL 9016)
- Coating: powder paint (non-toxic, fireproof, resistant to impact, chipping and exposure to chlorine-containing drugs during daily maintenance and cleaning)
- Drawers with ball-bearing slides, ensure free and smooth movement of drawers even when fully loaded, allow you to extend the drawer to its full length and use 100% of the space, the max load per drawer is 15 kg
- Stamped stainless steel shelves, shelf load 15 kg
- The surface is resistant to impacts, chips, disinfection treatment by wiping
- Equipped with wheels to ensure mobility and ease of operation: 4 self-orienting wheels made of non-marking grey rubber, diameter 50 mm, 2 wheels with brakes

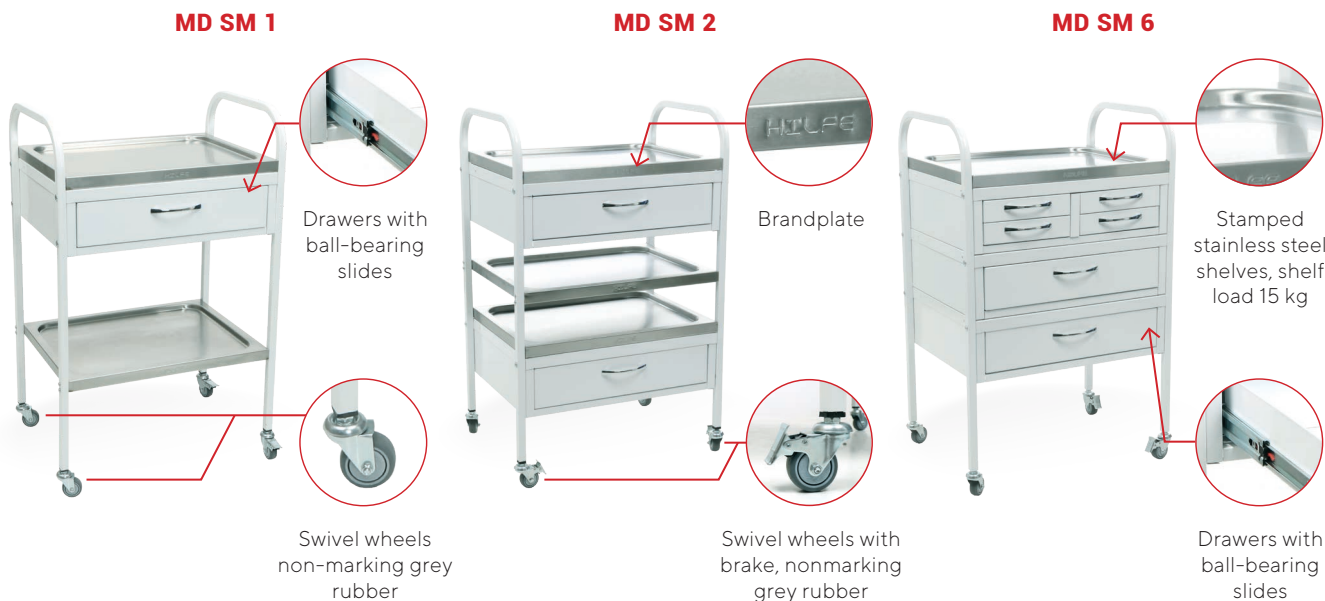


MEDICAL MANIPULATION TABLE

	MD SM N	MD SM1	MD SM2	MD SM6
Hight, mm	900	960	960	960
Width, mm	680	620	620	620
Depth, mm	440	450	450	450
Weight, kg	10	17	28	36
Load, kg	50	15	15	15



OPTION:
Doors or body color from the manufacturer's palette



BEDSIDE TABLE MD SP N

- Welded frame made of square profile pipe
- Frame color: White (RAL 9016)
- coating: powder paint (non-toxic, fireproof, shock-resistant, and exposure to chlorine-containing drugs during daily maintenance and cleaning)
- Telescopic stand, height adjustment - mechanical by means of a clamping screw with a plastic head
- Two tabletops (one is rotatable) made of 16mm Chipboard, with 5 mm borders around the tabletop
- Equipped with 4 wheels 50mm with unmarking rubber, two with brakes
- Delivered disassemble

	MDSP N
Hight, mm	790-1150
Width, mm	700
Depth, mm	410
Load, kg	20
Weight, kg	12



MEDICAL TREATMENT TABLES

MD SP treatment tables – useful element for providing medical care. Thanks to the thoughtful design, all the necessary tools and medical equipment are at hand. This facilitates the work of the staff, reduces the amount of mistakes.

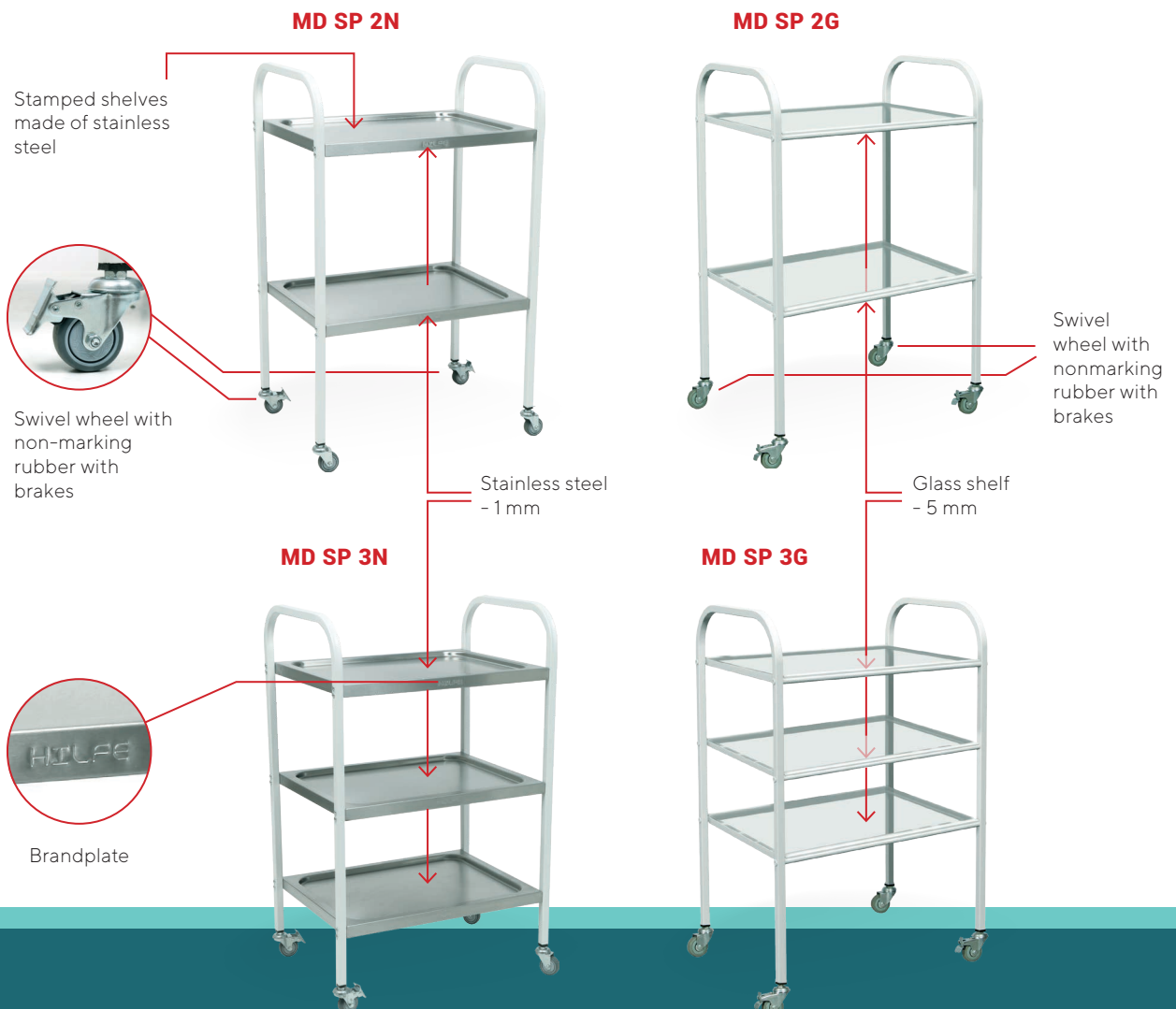


- Frame is made of a square-section profile pipe
- Frame color: white (RAL 9016)
- Coating type: powder paint (non-toxic, fireproof, resistant to impact, chipping and exposure to chlorine-containing drugs during daily maintenance and cleaning)
- Stamped shelves made of stainless steel or impact-resistant glass
- Max load per steel shelf is 15 kg; per glass shelf is 10 kg
- The surface is resistant to impacts, chips, disinfection treatment by wiping
- 4 self-orienting wheels made of non-marking gray rubber, with a diameter of 50 mm, 2 wheels with brakes
- Delivered disassembled



CERTIFIED

	MD SP 2N	MD SP 2G	MD SP 3N	MD SP 3G
Height, mm	960	960	960	960
Width, mm	620	630	620	630
Depth, mm	450	470	450	470
Load, kg	15	10	15	10
Weight, kg	9	12	12	16



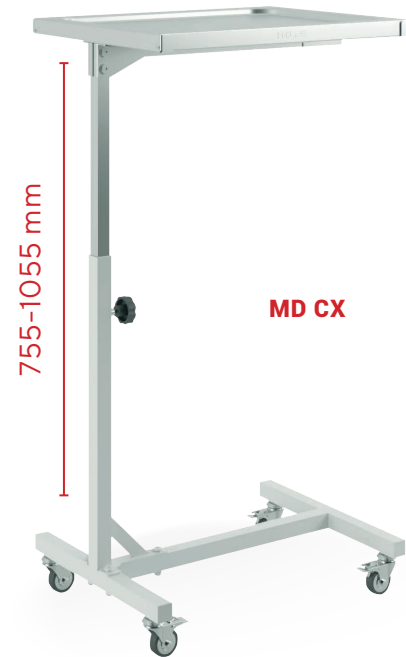
MEDICAL TREATMENT TABLES

SURGICAL TABLE MD CX

- Designed for storing instruments, devices and other medical equipment used during medical procedures and surgical operations
- Welded frame made of square profile pipe
- Frame color: White (RAL 9016)
- Coating: powder paint (non-toxic, fireproof, shock-resistant, and exposure to chlorine-containing drugs during daily maintenance and cleaning)
- Stainless steel stamped shelf 1mm thick. Max load - 15kg
- Table surface is resistant to shocks, chips, means of disinfection treatment by wiping
- Telescopic stand, height adjustment - mechanical by means of a clamping screw with a plastic head
- Equipped with 4 wheels 50mm with unmarking rubber, two with brakes
- Delivered disassembled



	MD CX
Hight, mm	755-1055
Width, mm	435
Depth, mm	560
Load, kg	15
Weight, kg	17



BLOOD SAMPLING TABLE MD SM N

- Frame is made of a square profile pipe
- Frame color: white (RAL 9016)
- Coating type: powder paint (non-toxic, fireproof, resistant to shocks, chips and the effects of chlorine containing drugs during daily maintenance and cleaning)
- Tabletop is made of 16 mm chipboard and 20 mm foam, cover: artificial leather, resistant to abrasion and the effects of disinfectants;
- Max load per tabletop - 50 kg
- Hight adjustment (10mm)



	MD SM N
Hight, mm	900
Width, mm	680
Depth, mm	440
Load, kg	50
Weight, kg	10



BEDSIDE MEDICAL PEDESTALS

Bedside medical pedestals are designed for storing personal belongings, clothes and documents. Pedestals can be used for medical instruments, small equipment or as a side piece of furniture at the desk and bed.

- Rigid reliable structure
- The Body is made of high-quality steel
- Standard color: White (RAL 9016)
- Coating: epoxy powder paint, resistant to disinfectants
- Ball bearing slides for drawers allows full drawer extension to use 100% of the drawer space
- Max load per shelf and upper drawer – 15 kg.
- 4 wheels
- Delivered disassembled



	MD TP-1	MD TP-2	MD TP-3
Height, mm	710	710	710
Width, mm	420	420	420
Depth, mm	490	490	490
Weight, kg	13	14	13



Ball-bearing slides



Ergonomic handle

Swivel wheels with brakes

Model **MD TP-2**:
Upper drawer
Door with shelf
Plastic wheels.



Model **MD TP-1**:
Upper compartment-drawer
Middle compartment
Door with shelf
Lower compartment:
Niche
Plastic wheels



Model **MD TP-3**:
upper compartment -
Niche;
Lower compartment:
Door with shelf
Plastic wheels

BEDSIDE MEDICAL PEDESTALS

	MD TPL-4	MD TPL-5	MD TPL-9
Hight, mm	700	860	890 (1250)*
Width, mm	420	450	647
Depth, mm	490	466	508
Weight, kg	21	16	23

* Max hight with lifted table

OPTION:
Doors or body color
from the manufacturer's
palette



Option:
Door key lock HILFE
(2000 combinations)



Model MD TPL-4:
2 drawers with ball bearing slides
(100% extension). Central key
lock. Swivel wheels with non-
marking rubber.



Central
key lock



Swivel wheels with
non-marking rubber
and brakes

Model MD TPL-5:
The pedestal frame made of square
pipe 20x20x1,5mm.
Upper compartment - drawer
Middle compartment: Niche
Lower compartment: Door with shelf
Swivel wheels with non-marking
rubber



Model MD TPL-9:
Pedestal with rotatable table (360°)
Upper compartment - drawer with
ball-bearing slides (100% extension)
Lower compartment: door with shelf
Swivel wheels with non-marking
rubber.



BEDSIDE MEDICAL PEDESTALS

The line of medical cabinets on a metal frame is complemented by pedestals made using the same technology. The pedestals are equipped with wheels made of unmarked gray rubber, the two front ones are equipped with brakes. Drawer with ball bearing slides. Cabinets and pedestals are available in the same color scheme with cabinets.



- Rigid, reliable structure. the body is made of 0.8mm thick steel.
- Facades are made of chipboard with a thickness of 16 mm, laser edge 2 mm thick with a polymer functional layer, provides a zero seam effect and improves the moisture resistance and heat resistance of facade elements
- Tabletop is made of Chipboard 16 mm
- Swivel wheels with non-marking rubber and brakes
- Drawer with ball-bearing slides

	MD TP L-6	MD TP L-7	MD TP L-8
Height, mm	720	720	720
Width, mm	420	420	420
Depth, mm	490	490	490
Weight, kg	20	16	26

MD TP L-6



MD TP L-7



MD TP L-8



Front wheels with brakes



Drawer with ball-bearing slides and stopper

FACADES AND TOP COLOR



White Oak (base)



Orange



Ocean

BODY COLOR:



RAL 9016 white hygienically safe, corrosion-resistant powder coating

MEDICAL TRIPODS AND FIRST AID KITS

Medical tripods for intravenous infusions are designed to accommodate vials and disposable systems with medicinal solutions used during medical procedures. Collapsible structure consisting of a rack with bottle holders/ hooks, a base and wheels.



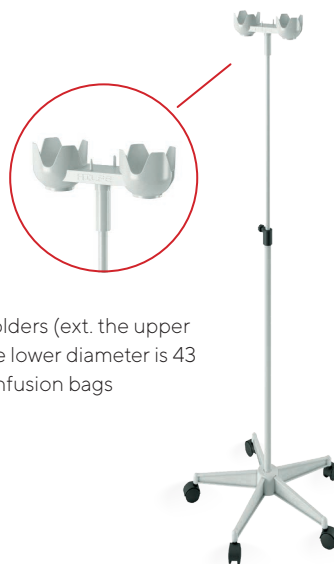
CERTIFIED

First aid kits are designed for storing first aid medicines in industrial enterprises, offices, and factories.

MEDICAL TRIPOD/ KM SHDV AND KM SHDV-1

- The stand is made of steel tube
- Color: White (RAL 9016)
- Coating: epoxy powder paint, resistant to disinfectants
- The base beams are made of polyamide; the base is collapsible
- Plastic wheels with a diameter of 50 mm

	KM SHDV	KM SHDV-1
External dimensions, mm (HxWxD)	1190-1900x592x592	1130-1810x592x592
Load, kg	10	
Weight, kg	2	2.3



KM SHDV: 2 bottle holders (ext. the upper diameter is 85 mm, the lower diameter is 43 mm) and 2 hooks for infusion bags



KM SHDV-1: 2 holders (inner diameter of rings - 90 mm, lower- 35 mm)

FIRST AID KIT / AMD

- Made of steel, the interior space is divided into four compartments
- Equipped with a key lock "HILFE"
- Standard color: white (RAL 9016); Coating type: powder paint (non-toxic, fireproof, resistant to shocks, chips and the effects of chlorine-containing drugs during daily maintenance and cleaning)

	AMD-39 / AMD-39G (GLASS DOOR)
Height, mm	390
Width, mm	300
Depth, mm	160
Weight, kg	2,5/3



AMD-39



**AMD-39G
(GLASS DOOR)**

MEDICAL SAFES-THERMOSTATS

Semiconductor type



CERTIFIED



Outputs to the RS-485 network and alarm circuits



Lockable working chambers with individual lighting for separate and simultaneous storage of medicines in modes:



Cold place
(from +2,0 °C to +8,0 °C);

Cool place
(from +8,0 °C to +15,0 °C);

Room temperature
(from +15,0 °C to +25,0 °C)



Digital controller
Simultaneous control and indication of prescribed temperature and actual temperature.



Lockable boxes with individual lighting, boxes without providing thermal modes for separate and simultaneous storage of medicines

SAFE-THERMOSTATIC TS-3/25, MODEL FORT-M 1385.3

- Environmental safety (no refrigerant)
- Joint and separate storage of drugs in different temperature conditions (in models with two or more chambers)
- Digital display: set and actual temperatures
- High accuracy of temperature maintenance in working chambers ± 0.5 °C
- Providing remote monitoring and archiving of storage temperature values
- Electronic seals - safe door opening counters (IV class) or devices for disposable control seals
- Low power consumption and resistance to changes in power supply voltage
- Low noise

MEDICAL SAFES-THERMOSTATS

Semiconductor type

- Safe wall and door protection with 3-sided bolt locking system
- Locks and bolts protection from drilling and knocking with lock of bolt locking system
- Sealing device
- Color: structured white (RAL 9016); coating type: enamel
- Anchor fixing to the floor (Anchor included)



CERTIFIED

CONFIGURATION OPTIONS

KL	EL (OPTION)
<p>TWO KEY LOCKS KABA MAUER (3 keys included)</p> 	<p>Code digital lock PS 610/E36 + Key lock KABA MAUER</p> 



Model **TS-3/12:**
Modification ASK 30
For temporary storage locations



Model **TS-3/12:**
For rooms of 1, 2, 3
and 4 categories



Model **TS-3/25:**
For rooms of 1,2,3
and 4 categories



Model **TS-3/50:**
For rooms of 1,2,3
and 4 categories

MODEL	Bulgary resistance, Class	Thermostat, pcs.	Storage capacity, L			External dimensions, mm			Equipment			Locking bolts, pcs	Weight, kg
			Total	Cooled	Not cooled	H	W	D	KL	KL+EL	Shelf		
TS 3/12	3	1	12	12	-	680	510	510	1	1	-	7	136
TS 3/12 mod. ASK 30	1	1	8	8	-	410	440	380	1	1	1	4	74
TS 3/25	3	1	25	25	-	850	510	510	2	1+1	1	8	160
TS 3/25 mod. Fort M 1385.3	3	2	150	2x25=50	4x25=100	1500	850	512	2	1+1	1	12	760
TS 3/50	3	1	50	50	-	1170	510	510	2	1+1	1	12	760

MEDICAL SHELVING CTM MS Series



- Easy assembly using bolts without nuts
- Shelves are reinforced with a stiffening rib, which ensures their strength
- Color: grey (RAL 7038); coating type: powder paint (non-toxic, fireproof, resistant to impact, chipping and exposure to chlorine-containing preparations during daily maintenance and cleaning)



CERTIFIED

FULL SIZE RACK

CTM MS 185/100X30/40/60
(4 SHELVES)

CTM MS 200/100X30/40/60
(6 SHELVES)

CTM MS 220/100X30/40/60
(6 SHELVES)

Height, mm	1850	2000	2200
Length, mm	1000	1000	1000
Depth, mm	300/400/600	300/400/600	300/400/600

KD STAND

CTM MS KD 160 KD/70X30
(4 SHELVES)

CTM MS KD 185 KD/70X30
(4 SHELVES)

CTM MS KD
200 KD/100X30/40/50/60
(4 SHELVES)

Height, mm	1550	1800	1950
Length, mm	700	700	1000
Depth, mm	300	300	300/400/500/600



BOLTED



SHELF
ADJUSTMENT



STAND
PROFILE
STANDARD



LOAD PER
SHELF



LOAD PER
SHELVING



Plastic saddle



CTM MS 185/100X30
(4 SHELVES)



CTM MS 200/100X30
(6 SHELVES)



CTM MS 220/100X30
(6 SHELVES)

USEFULL INFORMATION

Article	Name	Package dimensions (WxDxH)	Number of boxes	Brutto weight	Netto weight
MEDICAL CUPBOARD MD 1 AND MD2 SERIES					
S26199201001	Cupboard MD 1 1650/SS	1650x545x100	1	28	25
S26199201501	Cupboard MD 1 1650/SG	1650x560x110	1	29	27
S26199202001	Cupboard MD 1 1657/SS	1650x610x110	1	29	27
S26199202501	Cupboard MD 1 1657/SG	1650x610x110	1	31	29
S26199203001	Cupboard MD 2 1670/SS	1640x390x150	1	36	33
S26199203501	Cupboard MD 2 1670/SG	1645x395x170	1	39	36
S26199204001	Cupboard MD 1 1760/SS	1745x630x120	1	35	32
S26199204501	Cupboard MD 1 1760/SG	1745x630x120	1	38	35
S26199205001	Cupboard MD 2 1780/SS	1740x460x155	1	45	42
S26199205501	Cupboard MD 2 1780/SG	1740x465x165	1	48	45
S26199206000	Cupboard MD 1 1760 R	1745x630x120	1	37	35
S26199206100	Cupboard MD 1 1760 R-1	1745x630x120	1	43	41
S26199207000	Cupboard MD 2 1780 R	1735x460x190	1	48	45
S26199207100	Cupboard MD 2 1780 R-1	1740x465x180	1	51	49
S26199207500	Cupboard MD 2 1780 R-5	1740x465x180	1	55	53
S26199209100	Cupboard MD traizer 1650	465x285x250	1	5.1	4.6
S26199209200	Cupboard MD traizer 1670	665x290x240	1	7	6.5
S26199301501	Cupboard MD 1 SHM-SS	1860x545x130	1	28	26
S26199302101	Cupboard MD 2 SHM-SS	1860x590x100	1	30	28
S26199302201	Cupboard MD 2 SHM	1860x525x165	1	49	47
S26199206300	Cupboard MD 1 SHM-SSD	1740x640x120	1	53	50
S26199206400	Cupboard MD 2 SHM-SSK	1740x470x180	1	73	70
S26199206500	Cupboard MD 2 SHM-SSR	1740x470x180	1	61	58
MEDICAL TRANSPORTATION CART					
S26599020601	Medical transportation carts MD TBN	2120x710x210	1	43	41
S26599020701	Medical transportation carts MD TBL	2130x710x160	1	48	45
S26599020801	Medical transportation carts MD TBL-01	2200x750x340	1	85	80
MEDICAL COUCHES					
S26599020101	Couch MD KC	2120x720x105	1	31	30
S26599021401	Couch MD KC-01	1990x745x145	1	43	40
MEDICAL BANQUETS					
S26599020201	Banquette MD B	1535x480x95	1	16	15
S26599020301	Banquette MD BC	1530x515x115	1	23	22
MEDICAL PEDESTAL					
S26199401101	Pedestal MD TP-1	860x515x130	1	16	13
S26199402201	Pedestal MD TP-2	860x515x130	1	17	14
S26199403301	Pedestal MD TP-3	860x515x130	1	16	13
S26199404401	Pedestal MD TP L-4	840x510x110	1	23	21
S26199404501	Pedestal MD TP L-5	840x510x110	1	19	16
S26199404601	Pedestal MD TP L-6	860x515x130	1	22	20
S26199404701	Pedestal MD TP L-7	860x515x130	1	18	16
S26199404801	Pedestal MD TP L-8	840x510x110	1	28	26
S26199404901	Pedestal MD TP L-9	685x515x225	1	25	23
MEDICAL TABLES					
S26199501001	Medical table MD SM N	865x455x80	1	11	10
S26299010102	Medical table MD SM 1	1150x480x95	1	19	17
S26299010902	Medical table MD SM 2	1166x482x140	1	30	28
S26299010202	Medical table MD SM 6	1160x500x210	1	39	36
S26299021401	Medical table MD SP N	750x460x180	1	13	12
S26299020201	Medical table MD SP 2N	930x630x70	1	10	9
S26299021201	Medical table MD SP 2G	1040x640x70	1	13	12
S26299021301	Medical table MD SP 3N	1035x640x100	1	13	12
S26299020301	Medical table MD SP 3G	1035x640x100	1	18	16
S26299021501	Medical table MD CX	870x770x90	1	18	17



WWW.PROMET-SAFE.COM

UP TO 5 YEARS WARRANTY



DEALER STAMP

MADE BY PROMET